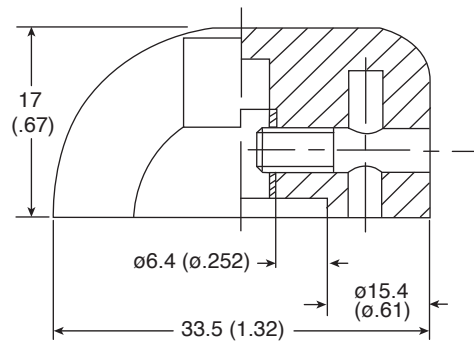
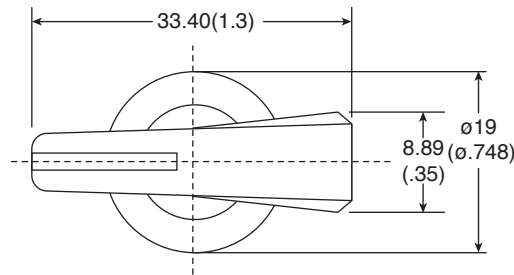
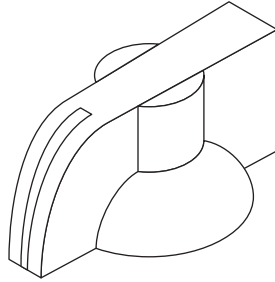


Date Last Revised: 03/20/15



Dimensions: mm (in.)

| SPECIFICATIONS | |
|-----------------------------|-----------|
| Standard screw size: | M4 x P0.7 |
| Standard color: | black |
| Standard shaft size: | .25 |
| RoHS Compliant by Exemption | |

Available from Mouser Electronics
 1-800-346-6873 / www.mouser.com

EPD-200534